

## HIGH EFFICIENCY COMMERCIAL WASHER

Featuring Factory Installed Coin Slide and Coin Box



### CAM2742TQ — 27" 2-Speed Washer with Factory Installed Coin Slide and Coin Box

**EXCLUSIVE! 1 YEAR FACTORY LABOR WARRANTY!**

- 3.2 Cu. Ft. Wash Basket, 18 Lbs. UL
- 2 Piece Auger Agitator for Improved Washability
- Push Button Controls
- High Efficiency, Low Water Factor
- 3 Cycles: Heavy (Hot/Cold), Permanent Press (Warm/Cold) and Colorfast (Cold/Cold) to Provide the Right Washing Conditions for a Wide Range of Fabrics
- Two-Speed Advantage with True Gentle Wash, High Speed Spin Only!
- Deep Rinse System, Automatic Temperature Control 115° H 85° W
- Hidden Lid Switch
- High Speed Spin 640 RPM (Approx.)
- Galvanized, Heavy Gauge Cabinet Back Panel
- Heavy Duty Motor Coupler Isolator Tested to 20,000 Cycles!\*
- 1/2-HP Motor with Built-In Overload Protector: 120-Volt, 60 Hz., A.C. Agitation Speed 180 SPM/High 120 SPM/Low
- Reliable, Direct-Drive NO-BELTS Drive System, Front and Bottom Serviceable
- Residential grade inlet hoses and corrugated drain hose included
- 3 Cycle Indicator Lamps
- 23.22 Gallons Minimum Water Usage per Cycle (Low Water Level, 3 Lbs. Load)
- 8 Quarter Coin Slide Capacity, Set Your Wash Price from \$0-\$2 per Cycle (\$1 Factory Preset)
- **1 Year Labor/2 Year Parts Warranty\*\***

\* Testing completed 11/12/2001

\*\* Call 1-800-NO-BELTS for warranty details

NEW  
FACTORY  
INSTALLED  
TOP LOCK

2007  
Federal Energy  
Compliant

MEF 1.42  
WF 8.95  
RMC 50.6%

## WHIRLPOOL® BRAND COMMERCIAL WASHERS



### DIRECT DRIVE SYSTEM

27" heavy-duty commercial washers feature the

Direct-Drive, No-Belt washing system for greater reliability, reduced down time and increased profits.

### LARGE CAPACITY WASH BASKET

Ideal for handling family size loads!



### HIGH AND LOW WATER LEVEL

Reduce water consumption to 23.22 gallons per cycle!



### TRIPOD SUSPENSION

Sturdy tripod-suspension with active liquid filled balance ring reduces product weight while balancing commercial size laundry loads.



### RUST PROOF SCREWS

Rust proof Stainless Steel Torx® control panel screws give your machines added security and service life!



### SEALED HIDDEN LID SWITCH

To help ensure safe operation, Whirlpool® commercial washers feature a lid switch that is truly hidden. Not only does this prevent tampering, it ensures that the washer will not operate when the lid is open.

To locate a distributor near you, please visit  
[www.coinop.com/distributor](http://www.coinop.com/distributor), or call 1-800-NO-BELTS.

# COMMERCIAL WASHER SPECIFICATIONS

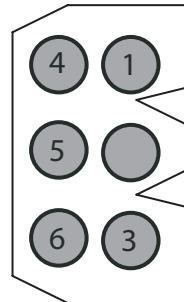
## WASHER SPECIFICATIONS

<b>MODEL NUMBER</b>	<b>CAM2742TQ</b>
<b>GENERAL INFORMATION</b> Factory installed coin slide and coin box. Set your wash price from \$0-\$2 per cycle (\$1.00 factory present)  Stainless steel look push button console, hidden lid switch, powdered paint finish top, lid and cabinet, galvanized back, improved meter case, inlet hoses and corrugated drain hose included.	High Efficiency Deep Rinse, Electronic Temperature Control, Super Capacity 3.2 Cu. Ft. Basket, High and Low Water Level Settings, 2007 Federal Energy Compliant
<b>MOTOR</b> 120-Volt 1/2-HP Direct-Drive with Built-In Overload Protector	Two-Speed Advantage with True Gentle Wash High Speed Spin Only!
<b>AGITATION STROKES PER MINUTE/AMPERAGE</b>	180 SPM/High (5.0 Amps No Load) 120 SPM/Low (5.0 Amps No Load)
<b>MAXIMUM RATED CURRENT</b>	9.8 Amps (120-Volt)
<b>MOTOR RPM</b>	1725 High, 1140 Low
<b>SPIN RPM</b>	640 High
<b>ELECTRICAL REQUIREMENTS</b> Subject to Local Codes	120V, 60 Hz., A.C. Standard 15 Amp Breaker/Fuse Branch Circuit for Each Washer
<b>DIMENSIONS</b> See Illustration Below	43" H (at Metercase Top), 35" H (at Lid), 27" W, 25.5" D
<b>SHIPPING WEIGHT (EST.)</b>	184 Lbs.
<b>BASKET VOLUME</b>	3.2 Cu. Ft. (18 Lbs U.L.)

Dimensions are for planning purposes only. For complete information, see installation instructions packed with product.

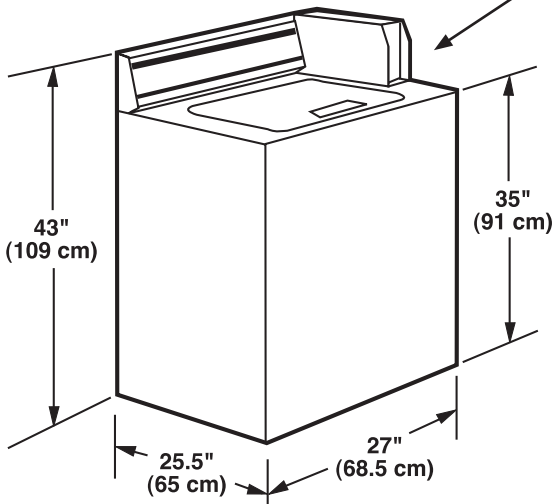
### NEW YORK CITY M.E.A.

PIN	FUNCTION
5 to neutral	Remote cycle start with remote relay closure
1 to 4	Changes state every 30 seconds
3 to 6	Cycle Counter

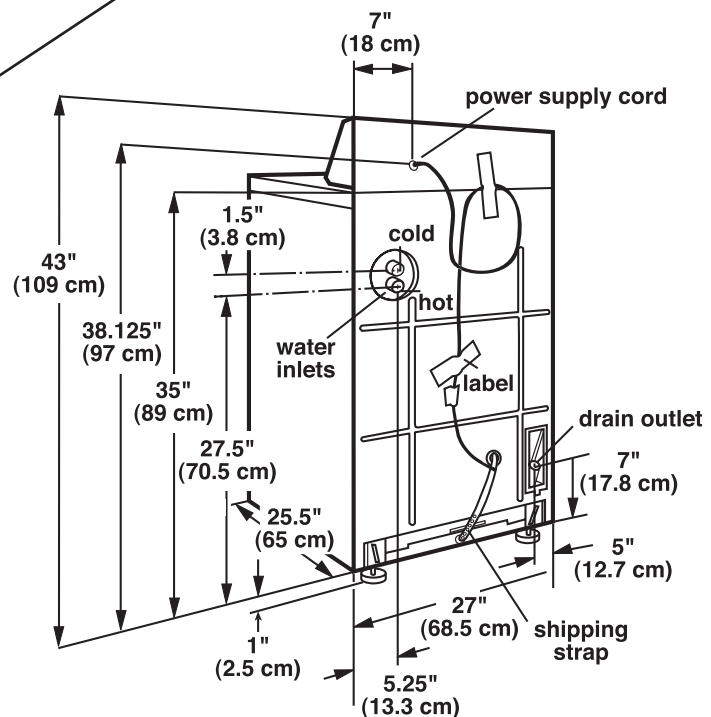


E-Z Wiring Harness Feature Connector for connection to money acceptors (located under top cover)

Energy information is available online at [www.coinop.com/products](http://www.coinop.com/products), WP literature part #CWXL077



WASHER FRONT VIEW



WASHER BACK VIEW

## MONEY ACCEPTOR PARTS CROSS REFERENCE



KEY	PART NAME	WHIRLPOOL PART NO.	ESD PART NO.
1	Service Door	3351138	N/A
2	Vertical 8 Coin Kit* (Washer and Dryer) Includes 3-9	3954807	72093
3	Key Front Lock or Top Lock	358288	Multiple Options
4	Money Box with Key	8316525	72101-XD
5	Vertical 8 Coin Slide* (Slide Only)	8316520	V8-200 (71689)
6	Coin Slide Extension Washer	8316522	21053
7	Coin Slide Extension Dryer	8316523	21064
8	Bolt Slide Mechanism	8316521	21749
9	Decal Kit	8316524	72097
10	Insert Blank	8316264	21216
11	Insert \$.25	8316265	21193
12	Optional Front Lock Assembly	358290	0300-ETWH
13	Dryer Timer Cams		
	3-Pin (60 Minutes)	3387974	N/A
	4-Pin (45 Minutes)	339855	N/A
	6-Pin (30 Minutes)	343777	N/A
	9-Pin (20 Minutes)**	339854	N/A
12-Pin (15 Minutes)**	339853	N/A	
14	Front Lock Blank	38731	N/A

\*State coinage type (US quarter, US dollar, Canadian quarter, Canadian dollar, etc.). \*\*Optional timing cams available through Whirlpool parts. Modifications may void the Whirlpool Corporation product warranty.

## MONEY ACCEPTOR MANUFACTURER CONTACT INFORMATION

MANUFACTURER	ESD	WHIRLPOOL	GREENWALD*
Address	270 New Jersey Drive Fort Washington, PA 19034	Commercial Laundry Sales 2000 M63, MD4302 Benton Harbor, MI 49022	212 Middlesex Ave. Chester, CT 06412
Phone	1-800-523-1510	1-800-662-3587, option 1	1-800-221-0982
Email	info@esdcoin.com	Byron_W_Hatch@whirlpool.com	sales@greenwaldindustries.com

\*Unit may be factory equipped with either an ESD or Greenwald coin unit.

## WARRANTIES

### EXCLUSIVE 1 YEAR FACTORY LABOR WARRANTY!!

#### WASHER WARRANTIES

<b>2-Year Limited</b> (Parts Only)	Entire Product
------------------------------------	----------------

For important information regarding warranty inclusions, exclusions and limitations, please call 1-800-NO-BELTS.

#### DRYER WARRANTIES

<b>2-Year Limited</b> (Parts Only)	Entire Product
------------------------------------	----------------

For important information regarding warranty inclusions, exclusions and limitations, please call 1-800-NO-BELTS.

## SECURITY FEATURES OFFERED ON ALL WHIRLPOOL® COMMERCIAL LAUNDRY

- Washer and dryer cabinets are designed to be some of the most durable in the industry.
- The hidden lid switch on our washers ensures safe operation and tamper prevention.

Whirlpool® Fabric Care technology provides a tried and true solution for consumers that prefer a top load washer. Whirlpool Corporation has designed a top load washer that is easy to use and delivers exceptional and dependable cleaning performance. Choose Whirlpool® Commercial Laundry for your coin store, multi-housing, and university projects.

Whirlpool Corporation has a Dedicated Sales and Service Staff Committed to the Success of your Commercial Laundry Business. Please Contact us at 1-800-NO-BELTS (1-800-662-3587).